



# OUTLINE DIMENSIONS

MOTOR TYPE:  
AEUH8P-XXX

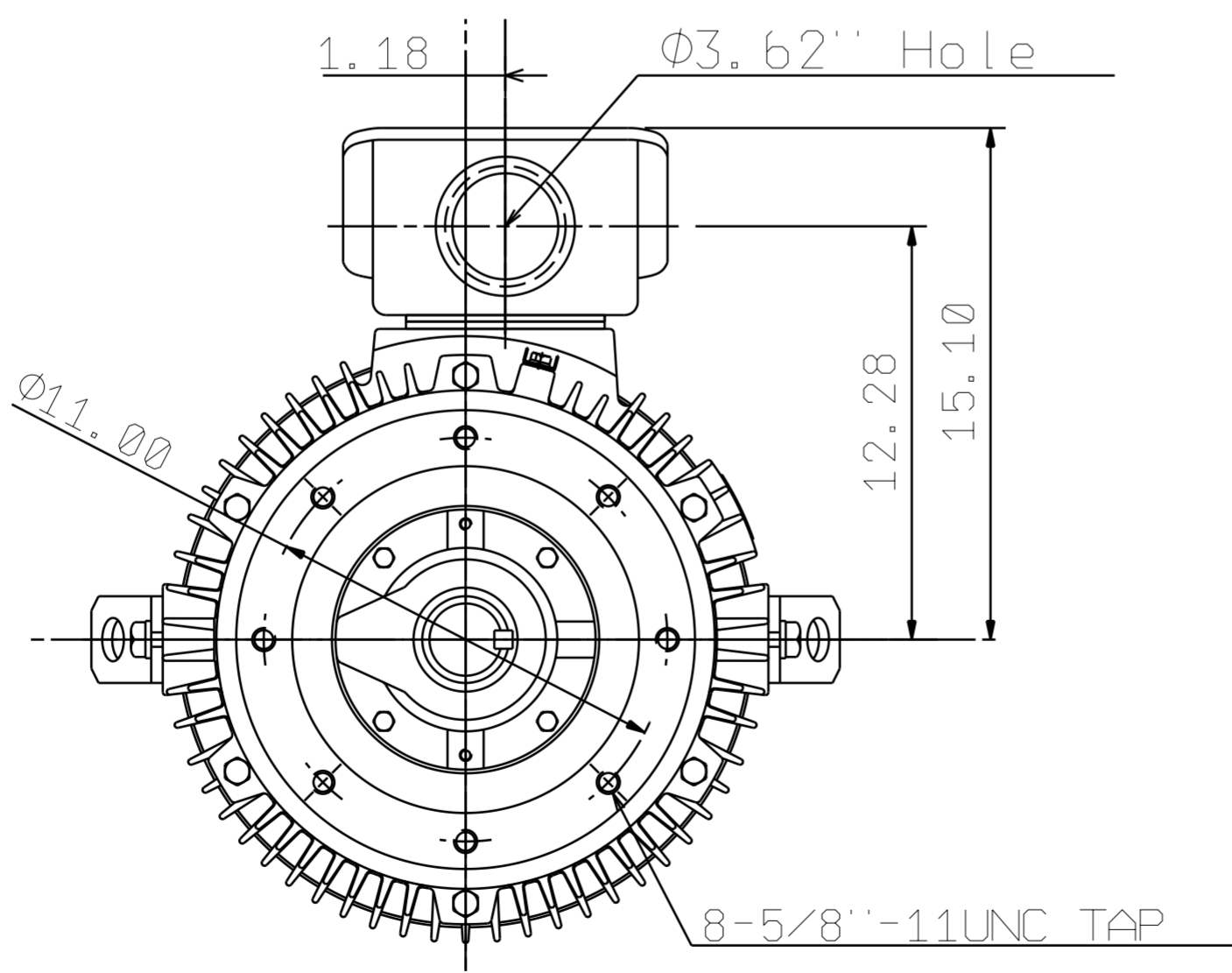
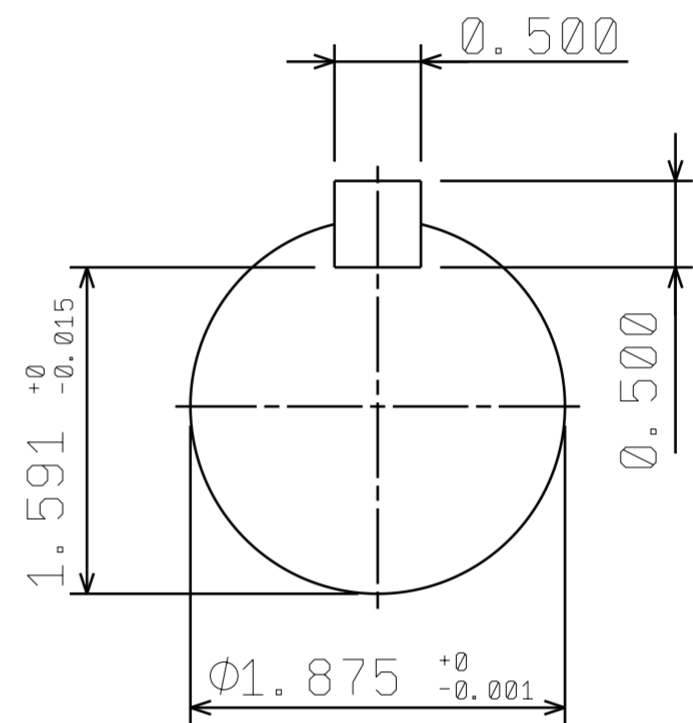
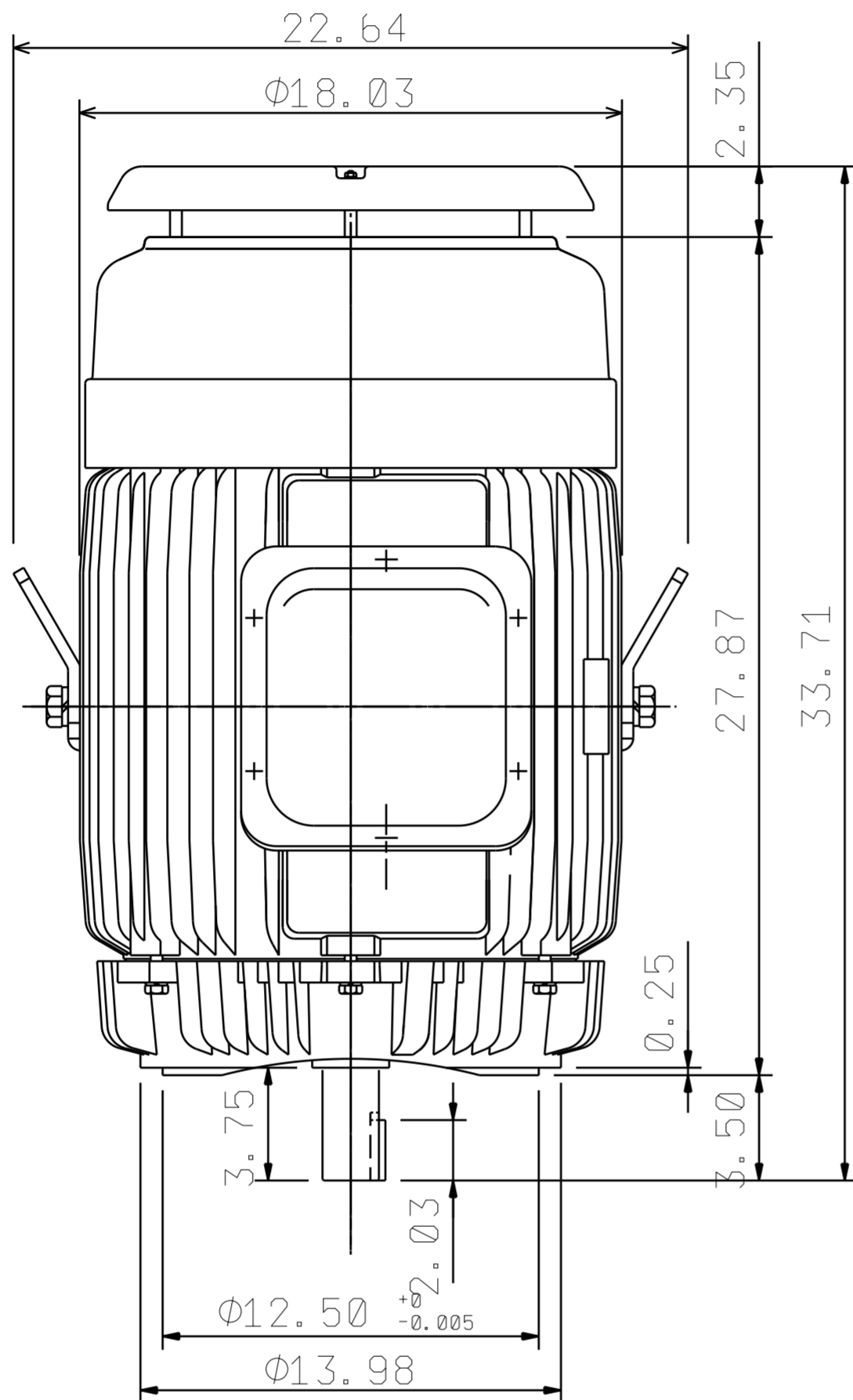
DATE

## 3-PHASE INDUCTION MOTOR

FRAME NO. 365TSC

Pole	HP	kW	Hz	VOLT	r/min
2	75	55.95	60	230/460	3600
Ins	Rating	Dimension in	Approx Weight	Bearings	
F	CONT.	inches		DE: 6312C3 NDE: 6212C3	

Totally Enclosed Fan-Cooled Vertical Type. Squirrel-Cage Rotor.



TAI17142-00-01



DWG.	^ B%\$00VAM	<b>東元電機股份有限公司</b> TECO Electric & Machinery Co., Ltd. TAIWAN	DWG NO.
CHKD.	^ B%R041017		31057A611090
APPD.	^ B%R041017		